



Transmit



Receive



Decode



Control

Universal Receiver RCU04 (3-Channel)

Baseline

The RCU04 is a 3-channel receiver which is universally applicable. It can be operated both with low- and mains voltage.

The receiver can memorise up to four transmission codes per channel. Every channel can be programmed with different operating modes.

Additionally the receiver can be programmed with an external pulse input.

The HF-receiver module can also be installed outside the device. This can improve the receiving characteristics.



RCU04-XX03M-01

Technical Details

Coding	not necessary, transmission code is memorized
Channels	3
Power Supply	12-24 V DC or 230 V AC
Control	Pulse (1 sec.) ON/OFF (1-button-control) Timer (30 sec., 3 min.) Dead man's mode (continuous operation) Awning-control ON/OFF (2-button-control)
Output	3 floating relay contacts
Max. Contact Duty	see Table of Loads
Degree of Protection	IP54
Operating Temperature	-20 °C to +60 °C
Dimensions	150 x 110 x 50 mm

Scope of Delivery

- Universal Receiver
- Antenna (internal)
- Mounting Material
- Operating Manual

Models

Product Key	Description	Frequency
RCU04-4103M-01	Universal-Receiver	433,92 MHz
RCU04-5003M-01	Universal-Receiver	868,30 MHz

Connection Diagram

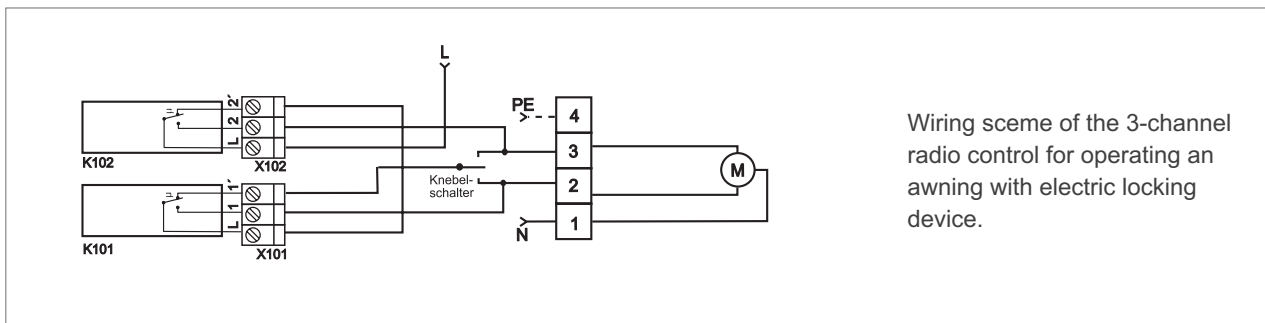
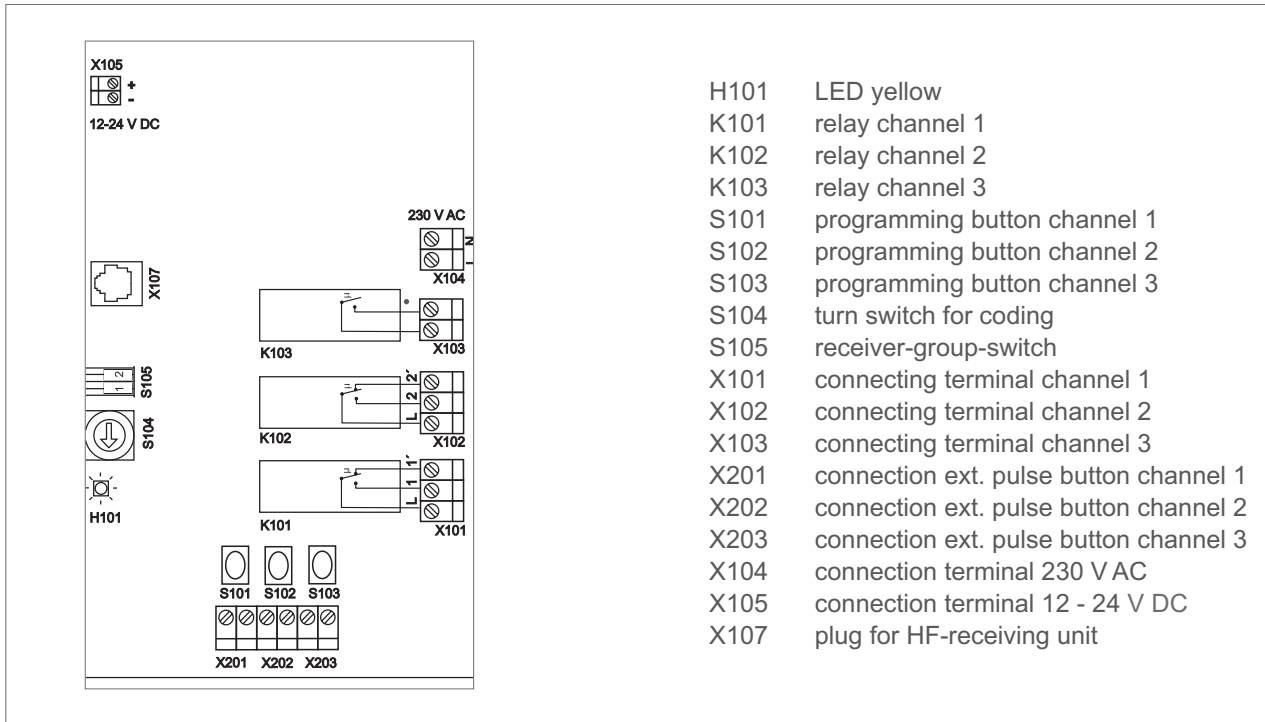


Table of Loads

Type of load	max. Load
resistive load: lamps, 230 V halogen lamps etc.	16,0 A / 3.680 VA
inductive load: halogen lamps with wound transformers (min. load of transformer 85%)	2,6 A / 600 VA
non- or serial-compensated fluorescent lamps with ferromagnetic ballasts	10,0 A / 2.300 VA
parallel-compensated fluorescent lamps with ferromagnetic ballasts	2,6 A / 600 VA
capacity EVG: electronic cut-in units, electronic transformers etc..	4,0 A / 920 VA