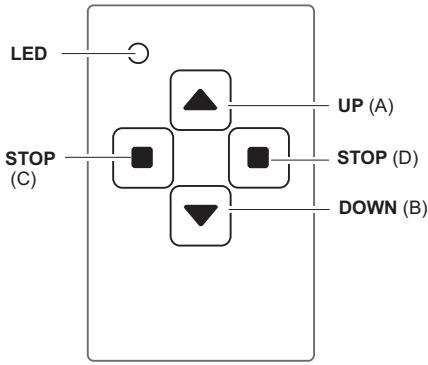
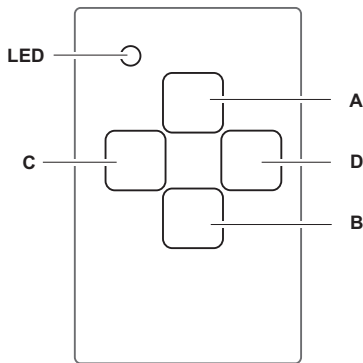


**Models**



**RT30E5001-01** 868.30 MHz **Function:**  
1x UP/STOP/DOWN  
3-button operation



**RT30E5004-01** 868.30 MHz **Function:**  
4x Pulse  
4-button operation

**Scope of Delivery**

Transmitter RT30 incl. battery, mounting plate, operating instruction

**Technical Data**

Frequency: 868.30 MHz  
 Radiated power: 868,30MHz: 0.65 mW  
 433,92MHz: 0.11 mW  
 Modulation: FSK  
 Coding: Easywave A/B/C/D  
 Power supply: 1x 3V battery, CR 2032  
 Indicator: LED  
 Degree of Operating temperature: -20°C to +60°C  
 Range: free-field: approx. 150 m  
 buildings: approx. 30 m  
 Dimensions: 38 x 60 x 14 mm  
 Weight: 25 g (incl. battery)

**Safety Advice**



Before using the transmitter, carefully read through the operating instruction!

Note also the operating instructions of the radio receiver.

Never operate doors or other items of equipment without keeping them under watch as you do so. Persons could be placed in danger!

Keep the Mini Transmitter away from children!

Check at regular intervals that the device is ready to transmit!

Have faulty transmitters checked by the manufacturer!

Do not make any unauthorized alterations or modifications to the Mini Transmitter!

**Intended Use**

The transmitter may only be used to operate Easywave radio controls.

The manufacturer shall not be liable for any damage caused by improper or non-intended use!

**Function**

The RT30 Mini Transmitters are radio transmitters with 3- or 4-button operation. The transmitters are A/B/C/D-coded, so that four different radiograms can be transmitted and therefore four different functions can be controlled.

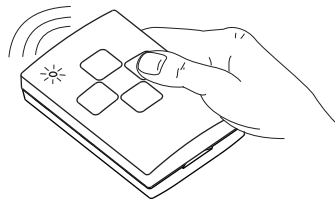
The transmitters use a battery control function. If the battery is weak, the LED flashes during sending.

**Start-Up**

Transfer the transmitter codes to the radio receivers of the devices to be operated. For this read the operating instructions supplied with the radio receivers.

**Using the Transmitter**

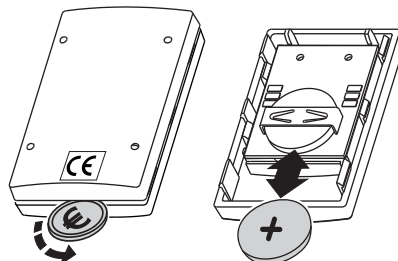
Press and hold the transmitter button until the LED lights up.



In case the LED flashes while pressing the pushbutton as well as approx. 3 seconds after releasing it, please change the battery.

**Replacing the Battery**

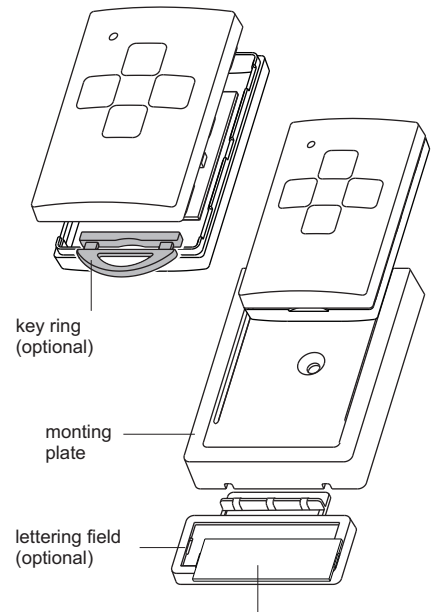
1. Insert a small coin into the slot on the bottom side of the transmitter. Turn the coin diagonally and carefully press the two halves of the housing apart.
2. Replace the battery. Use only batteries of type CR2032. Make sure the polarity is correct!



**Troubleshooting**

- The LED glows only faintly while being active: Change the battery.
- The LED does not light up at all: Check the polarity of the battery.
- Move closer to the radio receiver or transfer the transmitter code(s) to the radio receiver(s) again.

**Install Accessories**



Please insert the inscription plate!

**Disposal**

**Waste electrical products and batteries should not be disposed of with household waste!**

Dispose of the waste product via a collection point for electronic scrap or via your specialist dealer.

Dispose of used batteries in a recycling bin for batteries or via the specialist trade.

Put the packaging material into a recycling bin for cardboard and paper.



**Warranty**

Within the statutory warranty period we undertake to rectify free of charge by repair or replacement any product defects arising from material or production faults.

Any unauthorized tampering with, or modifications to, the product shall render this warranty null and void.

**Conformity**

Hereby, ELDAT Eas GmbH declares that the radio equipment type RT30 is in compliance with Directive 2014/53/EU.



The full text of the EU declaration of conformity is available at the following internet address:

[www.eldat.de](http://www.eldat.de)

**Customer Service**

If, despite correct handling, faults or malfunctions occur or if the product was damaged, please contact the company at the address below:

**ELDAT Eas GmbH**

Schmiedestraße 2  
15745 Wildau

Germany

Phone: + 49 (0) 33 75 / 90 37-310

Fax: + 49 (0) 33 75 / 90 37-90

Internet: [www.eldat.de](http://www.eldat.de)

E-Mail: [info@eldat.de](mailto:info@eldat.de)